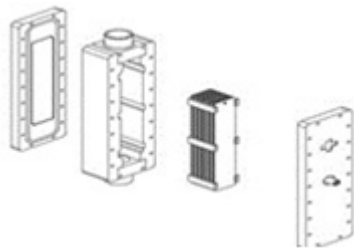


Microclor® Mini (MC 10) On Site Hypochlorite Generation System

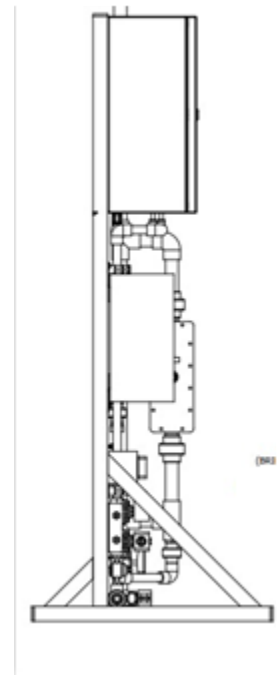
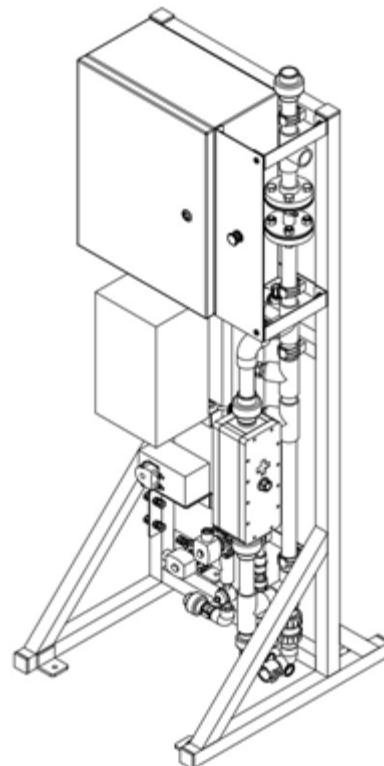
The Microclor® Mini (MC-10) is a patented on-site hypochlorite generation system that produces 8 to 10 pounds per day equivalent chlorine. The skid-mounted system generates safe, non-hazardous sodium hypochlorite solution using salt and electricity. Each system is pre-assembled, piped, wired, and factory-tested to facilitate simple installation and start-up at the jobsite.

The Microclor® Mini (MC-10) features:

- Next generation cell design—vertical cells make operations and maintenance safer and easier
- Skid mounted, floor-standing model equals a smaller footprint
- Modular system allows for easy upgrades



New Cell Design



Microclor® Mini (MC-10)

| Microclor® Mini (MC-10) SPECIFICATIONS | |
|--|--|
| Rated Free Available Chlorine (FAC) Capacity | 9 lb per day (+/- 1 lb) |
| Salt Conversion (SCE) | 3 lb salt/lb FAC (+/- 1 lb) |
| Energy Conversion | 3 kWh/lb FAC (+/- 1 kWh) |
| FAC Concentration | .60% (+/- .05%) |
| Flow Rate | 6 GPH (0.1 GPM) |
| Electrical Service Requirements | Standard 120 or 240 VAC, 1Φ, 20A, 50/60 Hz |
| Dimensions | 25" W x 24" D x 71" H |
| Power (Rectifier) | 1 kVA |
| Water Connection | 1/2" Schedule 80 PVC |
| Brine Connection | 1/4" Tube |
| Hypochlorite Connection | 1" Schedule 80 PVC |
| Hydrogen Connection | 1" Schedule 80 PVC |
| Ambient Air Temperature Rating | 35-90 °F |
| Feed Water Temperature Rating | 55-78 °F |
| Feed Water Pressure Rating | 50-80 psi |



cleanwater1, inc.

550 Sycamore Drive | Milpitas, CA 95035

Tel: 858.218.3745 | Email: info@cleanwater1.com

cleanwater1.com

© 2023 cleanwater1, inc. Subject to change without prior notice.

The information provided in this literature contains merely general descriptions or characteristics of performance which in actual case of use do not always apply as described or which may change as a result of further development of the products. An obligation to provide the respective characteristics shall only exist if expressly agreed in the terms of a written contract.