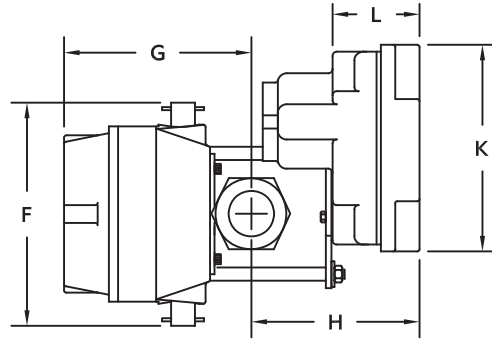


Series 55-200 Armored Flowmeter
Magnetic Indicator with
Hazardous Location Flow Switch

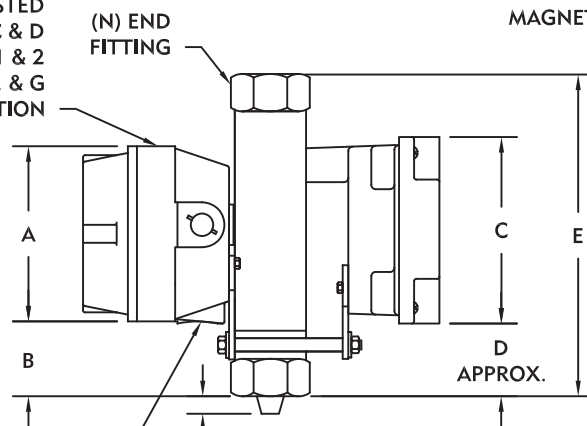
UGSI CHEMICAL FEED

A cleanwater1 Company



TOP VIEW

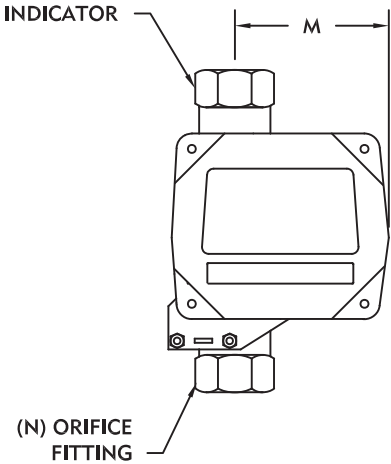
FLOW SWITCH - UL LISTED
 CLASS I, DIV GROUP C & D
 OR CLASS II, DIV 1 & 2
 GROUPS E, F, & G
 ◆ HAZARDOUS LOCATION



SIDE VIEW

3/4" (19mm) FEMALE NPT
 ELECTRICAL CONNECTION (USE
 SUITABLE FLEXIBLE CONDUIT
 FOR HAZARDOUS LOCATION) ◆

MAGNETIC INDICATOR



FRONT VIEW

TUBE SIZE	A	B	C	D	E	F	G	H	K	L	M	N	P
1/2" (13mm)	5" (127mm)	1-1/2" (38mm)	5" (127mm)	1-3/8" (46mm)	7-1/2" (191mm)	5-3/8" (142mm)	5-3/16" (132mm)	4-3/16" (106mm)	5-7/8" (149mm)	2-1/4" (57mm)	3-3/4" (95mm)	1/2" NPT	---
1" (25mm)	5" (127mm)	1-1/16" (43mm)	5" (127mm)	2" (51mm)	8-13/16" (227mm)	5-5/8" (142mm)	5-1/2" (140mm)	4-1/2" (114mm)	5-7/8" (149mm)	2-1/4" (57mm)	4-5/16" (110mm)	1" NPT	5/16" (8mm)
1-1/2" (38mm)	5" (127mm)	2-1/2" (64mm)	5" (127mm)	2-3/4" (70mm)	11-5/8" (295)	5-5/8" (142mm)	6" (152mm)	5" (127mm)	5-7/8" (149mm)	2-1/4" (57mm)	4-9/16" (116mm)	1-1/2" NPT	1" (25mm)
2" (51mm)	5" (127mm)	2-1/2" (64mm)	5" (127mm)	3" (76mm)	12-7/8" (327mm)	5-5/8" (142mm)	6-7/16" (164mm)	5-7/16" (138mm)	5-7/8" (149mm)	2-1/4" (57mm)	5" (127mm)	2" NPT	1-3/8" (35mm)

◆ AS DEFINED BY NEC.

UGSI Chemical Feed, Inc.
 a Cleanwater1 company

Vineland, NJ 08360
 856.896.2160 phone

info@cleanwater1.com
 www.cleanwater1.com

Dimensions
 CF.550.200.104.CN.0723