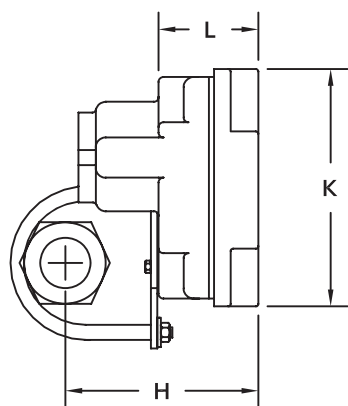


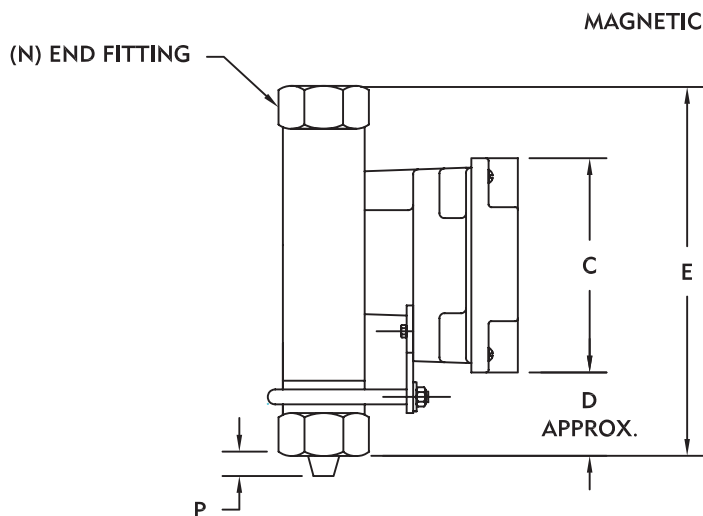
**Series 55-200 Armored Flowmeter  
With Magnetic Indicator**

**UGSI CHEMICAL FEED**

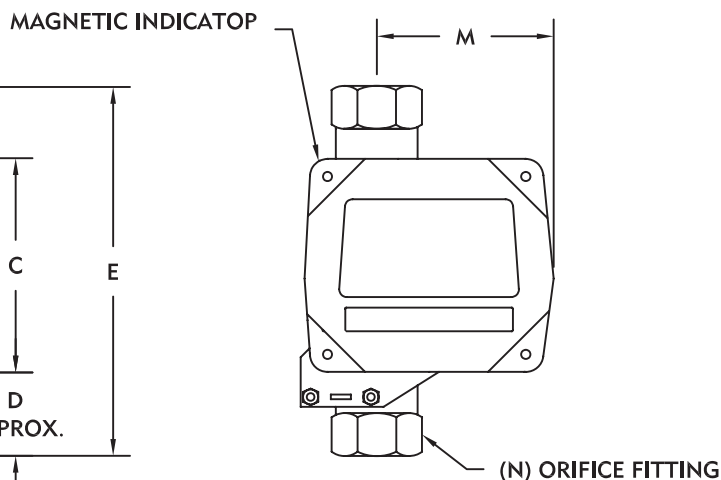
A cleanwater1 Company



**TOP VIEW**



**SIDE VIEW**



**FRONT VIEW**

TUBE SIZE	C	D	E	H	K	L	M	N	P
½" (13mm)	5" (127mm)	1-¾" (46mm)	7-½" (191mm)	4-¾" (106mm)	5-⅞" (149mm)	2-¼" (57mm)	3-¾" (95mm)	½" NPT	—
1" (25mm)	5" (127mm)	2" (51mm)	8-½" (227mm)	4-½" (114mm)	5-⅞" (149mm)	2-¼" (57mm)	4-⅝" (110mm)	1" NPT	⅝" (8mm)
1-½" (38mm)	5" (127mm)	2-¾" (70mm)	11-⅝" (295mm)	5" (127mm)	5-⅞" (149mm)	2-¼" (57mm)	4-⅝" (116mm)	1-½" NPT	1" (25mm)
2" (51mm)	5" (127mm)	3" (76mm)	12-⅞" (327mm)	5-⅞" (138mm)	5-⅞" (149mm)	2-¼" (57mm)	5" (127mm)	2" NPT	1-⅜" (35mm)

**UGSI Chemical Feed, Inc.**

a Cleanwater1 company

Vineland, NJ 08360  
856.896.2160 phone

info@cleanwater1.com  
www.cleanwater1.com

Dimensions  
CF.550.200.100.CN.0723