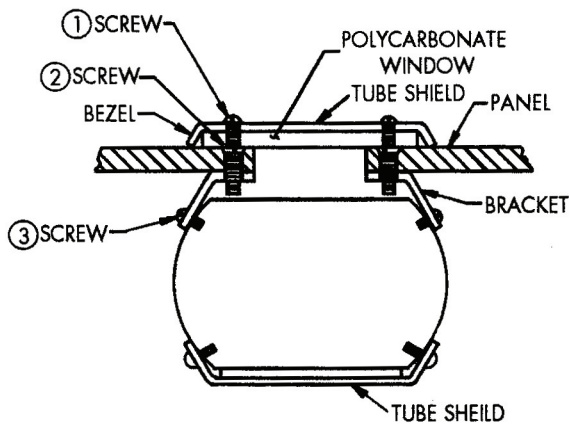


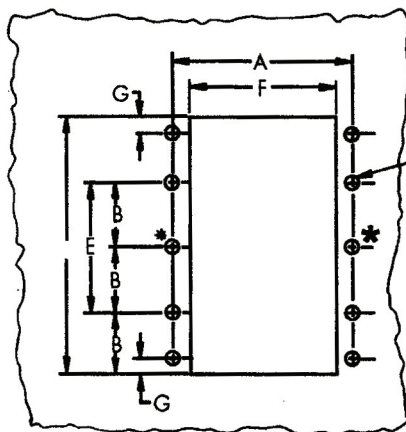
Glass Tube Varea-Meter® Unit Flush Mounted with Tube Shields

UGSI CHEMICAL FEED

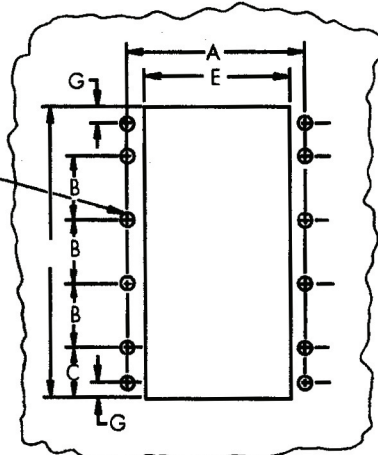
A cleanwater1 Company



1. CUT OUT PANEL USING TEMPLATE
2. ATTACH BRACKETS TO METER FRAME WITH SCREWS (NUMBER 3).
3. ATTACH METER FRAME TO PANEL WITH FOUR SCREWS (NUMBER 2).
4. ALIGN POLYCARBONATE WINDOW AND BEZEL WITH HOLES IN PANEL. SECURE TO PANEL WITH SCREWS (NUMBER 1).



TEMPLATE FOR 5" METERS



TEMPLATE FOR 10" METERS

TUBE SIZE	SCALE LENGTH	A	B	C	D	E	F	G
3/4" 1/2", 3/4"	5"	2"	-	2-1/4"	2-1/2"	7"	1-9/16"	1/4"
	10"	2"	2-1/2"	2-1/4"	12"	1-9/16"	-	1/4"
1"	5"	2-1/2"	-	2-3/32"	2-1/2"	6-11/16"	2-3/16"	1/4"
	10"	2-1/16"	2-1/2"	2-3/32"	11-11/16"	2-3/16"	-	1/4"
1-1/2"	5"	3-3/8"	2-1/2"	1-23/32"	-	8-7/16"	2-15/16"	5/16"
	10"	3-3/8"	2-1/2"	2-31/32"	13-7/16"	2-15/16"	-	5/16"
2"	5"	3-3/8"	2-1/2"	1-23/32"	-	8-7/16"	2-15/16"	5/16"
	10"	3-3/8"	2-1/2"	2-31/32"	13-7/16"	2-15/16"	-	5/16"

NOTE: * CENTER HOLES USED ONLY ON 1-1/2" AND 2" VAREAMETER WITH 5" SCALE.

UGSI Chemical Feed, Inc.
a Cleanwater1 company

Vineland, NJ 08360
856.896.2160 phone

info@cleanwater1.com
www.cleanwater1.com

Dimensions
CF.520.100.104.CN.0723