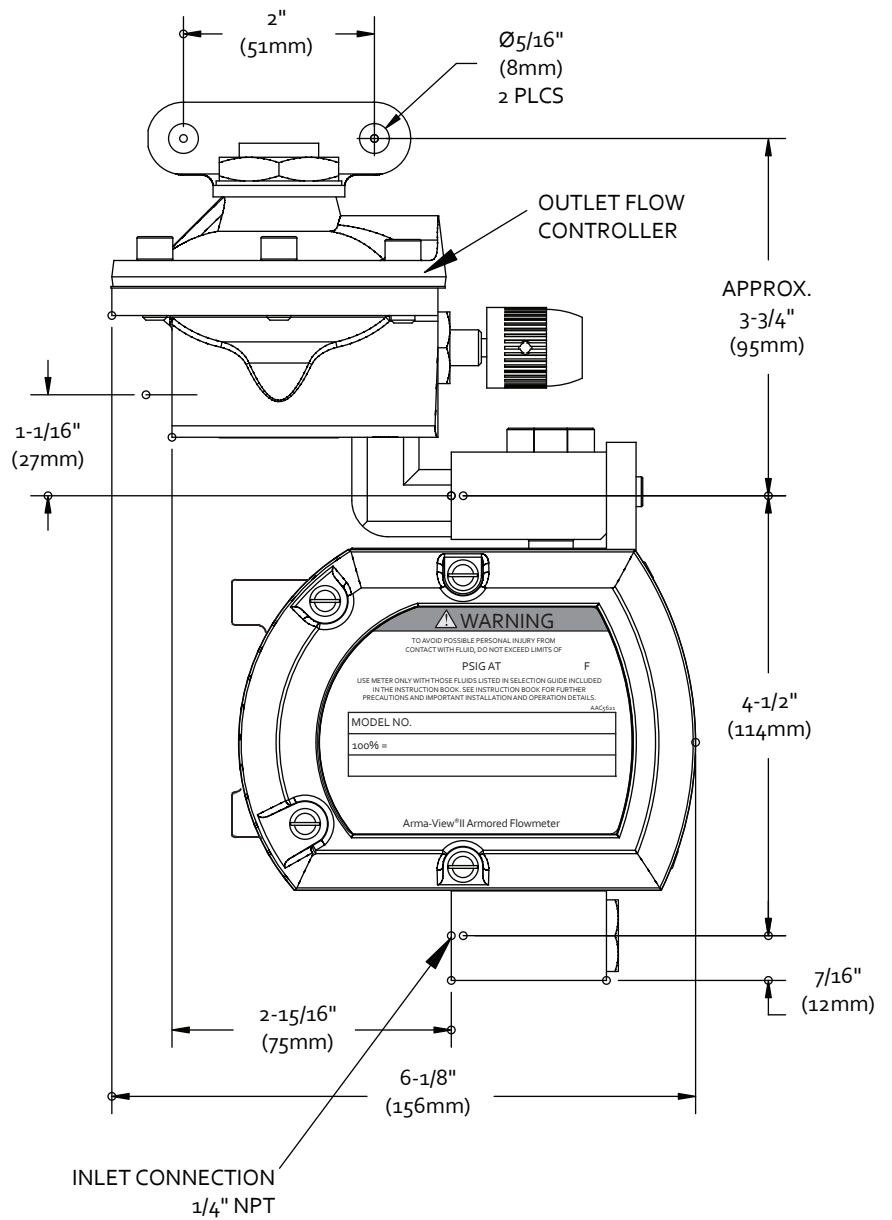
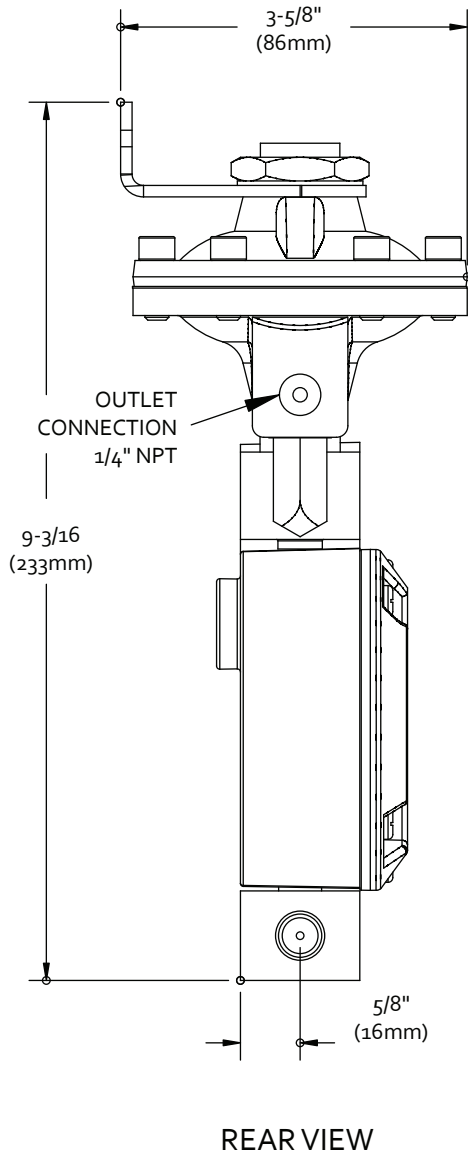


Arma-View® II Low Flow  
 Armored Purge Meter  
 With Outlet Flow Controller



UGSI Chemical Feed, Inc.  
 a Cleanwater1 company

Vineland, NJ 08360  
 856.896.2160 phone

info@cleanwater1.com  
 www.cleanwater1.com

Dimensions  
 CF.510.260.104.CN.0723