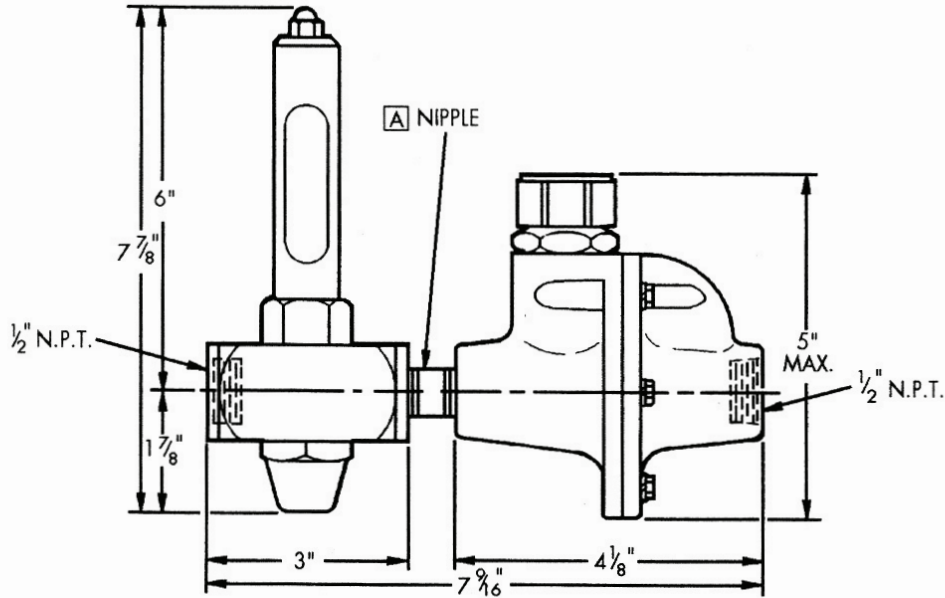
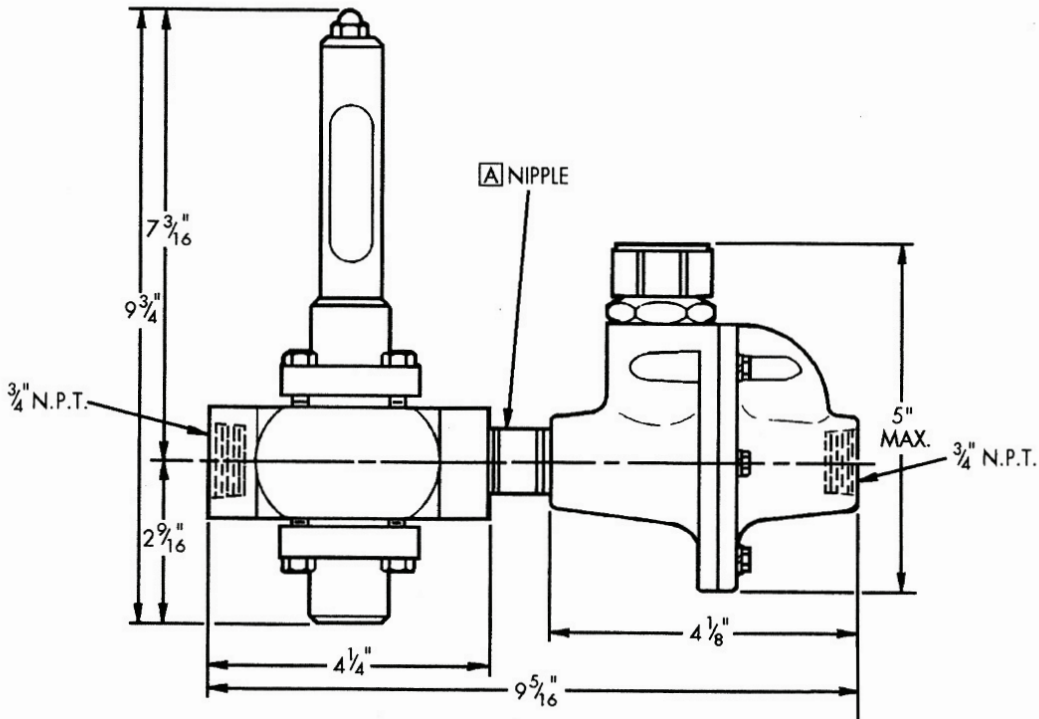


**Armored Purge Meter
With General Purpose Flow Control**



**1/2" ARMORED PURGE METER
WITH SERIES 5700 FLOW CONTROLLER**



**3/4" ARMORED PURGE METER
WITH SERIES 5700 FLOW CONTROLLER**

NOTE: **A** ACCESSORY ITEM FURNISHED ONLY IF SPECIFICALLY LISTED IN QUOTATION AND AS CHECKED ON THIS DRAWING.

UGSI Chemical Feed, Inc.
a Cleanwater1 company

Vineland, NJ 08360
856.896.2160 phone

info@cleanwater1.com
www.cleanwater1.com

Dimensions
CF.510.200.104.CN.0723