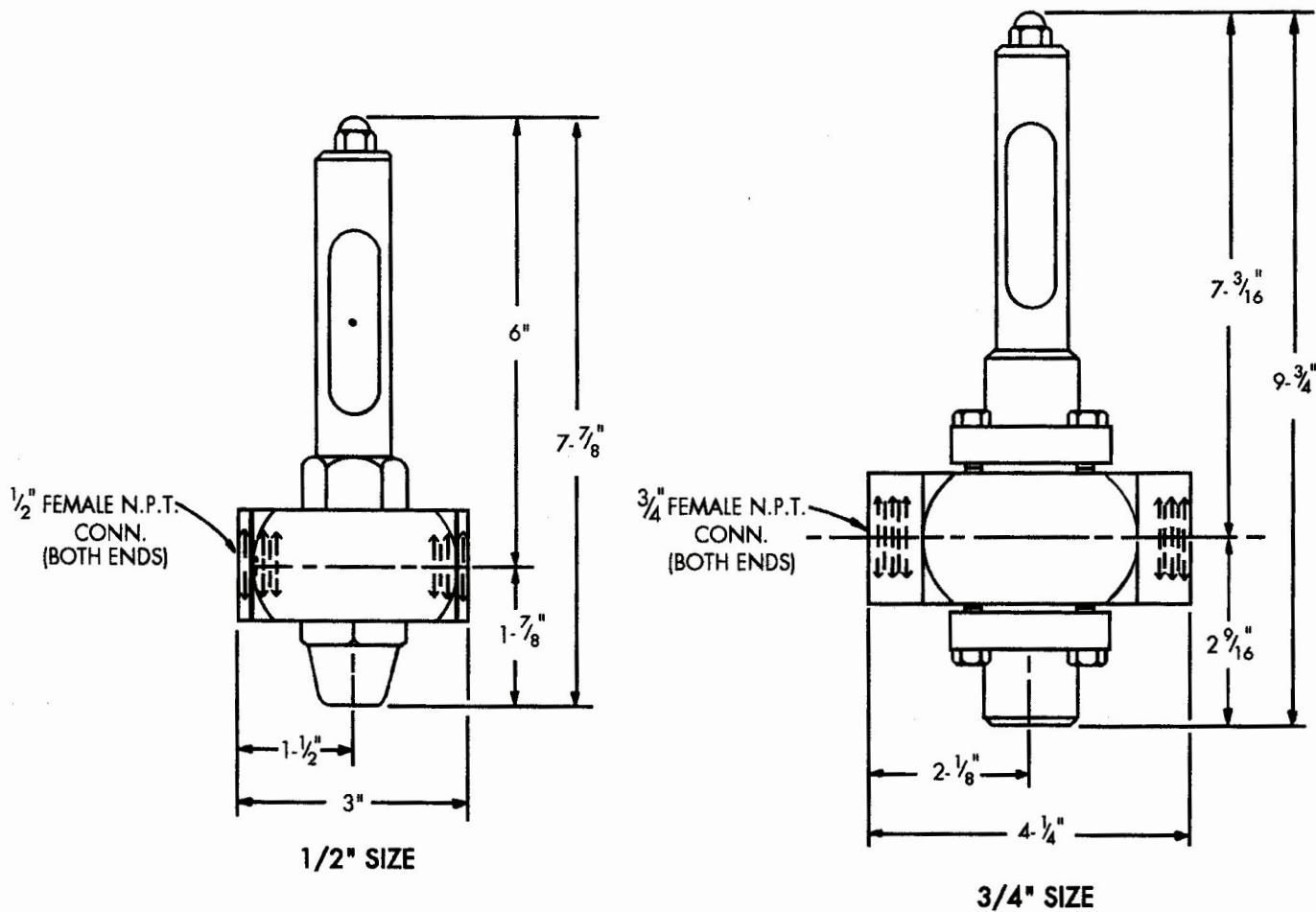


Armored Purge Meter
1/2" and 3/4" Armored Purge Meter



NOTE: SCALE TUBE AND GUARD MAY BE ROTATED 360°

UGSI Chemical Feed, Inc.
 a Cleanwater1 company

Vineland, NJ 08360
 856.896.2160 phone

info@cleanwater1.com
 www.cleanwater1.com

Dimensions
 CF.510.200.100.CN.0723