

Flow Measurement Equipment Series 55-200 Armored Flowmeter

The Series 55-200 Armored Flowmeter is a low cost, 5% accuracy, all metal meter for high-pressure and high temperature flow applications. Its plug and orifice design, overall simplicity, and minimal parts add up to an economical meter. Size for size, Armored Flowmeters give high capacities, reliable indication or transmission of flow, and dependable service.

Features

Low Cost

The plug and orifice design, overall simplicity, and minimal parts add up to an economical meter.

High Capacities

Size for size, Armored Flowmeters give high capacities. The plug and orifice concept yields capacities often double that of other designs.

Compact

The self-guiding float requires no rods. The meter is shorter than other designs, which saves space. High Pressure and Temperature Gas Service Limits are 1500 psi and 400°F (with Viton® O-rings) for NPT connections.

Reliable Gas Measurement

Readings steady out quickly. A special polypropylene float gives stable readings. It minimizes reactions to flow surges, especially at start-up.

Reversible, Dual Scale

A reversible scale with GPM water on one side and percent of maximum flow on the other is offered on some sizes as standard for easy readout changes.

Reliable Operation

Rotation of the indicator magnets is almost frictionless. This and the powerful bond with the float magnet means reliable indicating.

Output

The standard readout is in a magnetically coupled indicator unit. Optional 4-20 mA transmitter and alarm switches are also available.

Key Benefits

- Economical solution for flow measurement.
- Reliable long-term performance in gas or liquid service.
- Highly accurate and stable readings for precise measurement and control.
- Stands up to extreme conditions with rugged construction.
- Easily adaptable to fit your exact needs with standard options.



Armored flowmeter with
NPT connection

Technical Data

Accuracy

±5% of full scale.

Connections

NPT female

Mounting

Vertical, in-line.

Scales

Reversible scale calibrated 0-100% of full flow on one side and GPM water on the other. Gas Scales are in Percent Only as Standard. Special Direct Reading Scales are available.

Materials of Construction

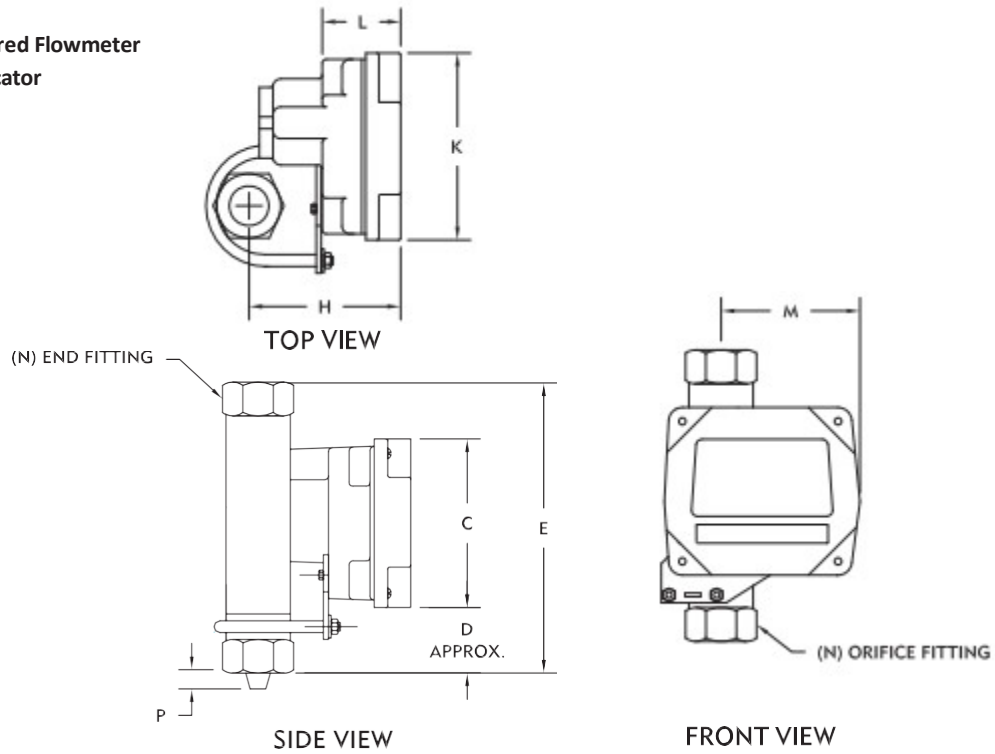
Metering tube, end fittings, and orifice are 316 stainless steel.

For liquid service, float is 316 stainless with 301 stainless steel guide;

For gas, float is polypropylene with 301 stainless steel guide.

The indicator housing is cast aluminum finished with special baked-on vinyl melamine enamel for corrosion resistance.

**Series 55-200 Armored Flowmeter
With Magnetic Indicator**



TUBE SIZE	C	D	E	H	K	L	M	N	P
½" (13mm)	5" (127mm)	1-13/16" (46mm)	7-½" (191mm)	4-3/8" (106mm)	5-7/8" (149mm)	2-¼" (57mm)	3-3/8" (95mm)	½" NPT	---
1" (25mm)	5" (127mm)	2" (51mm)	8-13/16" (227mm)	4-½" (114mm)	5-7/8" (149mm)	2-¼" (57mm)	4-3/8" (110mm)	1" NPT	3/8" (8mm)
1-½" (38mm)	5" (127mm)	2-3/4" (70mm)	11-3/8" (295mm)	5" (127mm)	5-7/8" (149mm)	2-¼" (57mm)	4-3/8" (116mm)	1-½" NPT	1" (25mm)
2" (51mm)	5" (127mm)	3" (76mm)	12-7/8" (327mm)	5-7/8" (138mm)	5-7/8" (149mm)	2-¼" (57mm)	5" (127mm)	2" NPT	1-3/8" (35mm)

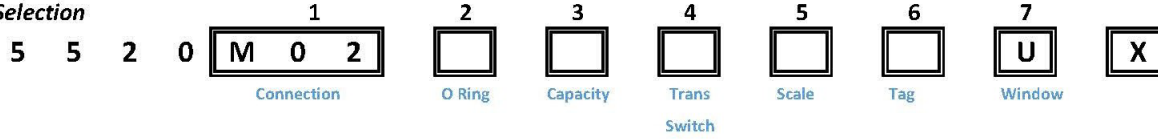
Ordering Procedures

Example: to order a 1/2" NPT Armored Flowmeter with indicator only, plastic window, Buna-N O-rings, direct reading scale in GPM, and maximum capacity of 5.0 GPM water, specify: 5520M02108XUXUX

ARMORED FLOWMETER

CF.550.200.100.CN.0714

Selection



Selection 1 - Connections

Code	Material
M02	NPT

Selection 2 - O-RING Material

Code	Material
1	Buna-N
2	Viton

Selection 3-Capacity (tube)

Code	Air-SCFM	Water-GPM	Meter Size
01	1.2		1/2" Meter
02		0.5	
03	2.4		
04		1	
05	6.5		
06		2.4	
07	10		
08		5	
09	12		1" Meter
11	24		
12		12	
13	40		
14		24	1 1/2" Meter
16		34	
17	76		
18		75	2" Meter
21	150		
22		130	

Selection 4 - ELECTRONIC TRANSMITTER / FLOW SWITCH

Code	Description
X	None
A	General Purpose 1 Switch
B	General Purpose 2 Switch
G	Haz 1 Switch 1 Relay
H	Haz 2 Switches 2 Relays
6	Hazardous Area Transmitter

Selection 5- SCALE CALIBRATION

Code	Description
D	Standard % Air
B	Special Gas
U	Standard (GPM) Water
P	Standard % Water
I	Special Liquid

Selection 6 - TAG

Code	Description
X	None
1	Stainless Steel (wire on)

Selection 7 - WINDOW

Code	Description
U	Plastic Window

Optional Electronic Transmitter is available with this Product



Electronic Transmitter

The Varea-Com™ explosion-proof Electronic Transmitter provides accurate magnet angle detection and computation of the angle to a 4-20 mA industry standard output signal. This compact, microprocessor-driven device is capable of filling flow-correction needs at the meter and providing accurate flow information remotely to external support systems. The patented magnetic sensor with automatic gain control enables a high dynamic capture range without sacrificing accuracy.

Optional External Flow Switches are available with this Product



Hazardous Location version (two switches and relays)

The UGSI External Flow Switch is a compact option that gives reliable high- and/or low-flow switching. The External Flow Switch contains a powerful rotating magnet that responds linearly to float position. Its switches are long life, hermetically sealed reed types. Almost frictionless rotation of the switch magnet and its powerful bond with the float magnet give a dependable magnetic coupling. Even under sudden flow surges, switching remains reliable.

Available in a **General purpose version** with one or two switches and a **UL Listed Hazardous Location version** with one switch/one relay or two switches/two relays.